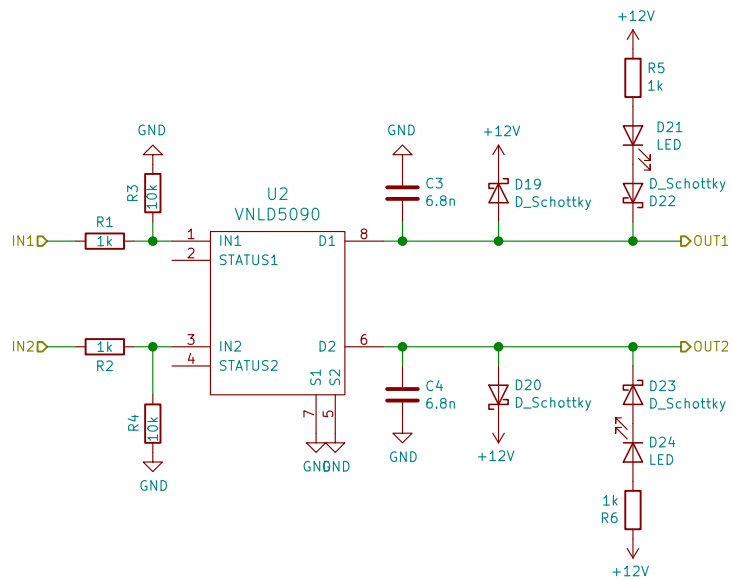
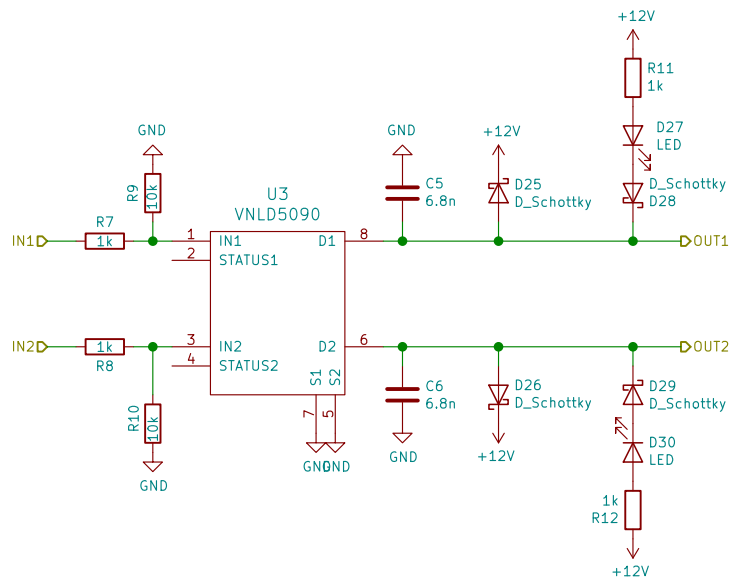


Sheet: /		Date: 2020-02-27	
File: hw48na.sch		Rev: R0.1	
Size: A	KiCad E.D.A. kicad (5.1.2)-2	Id: 1/4	

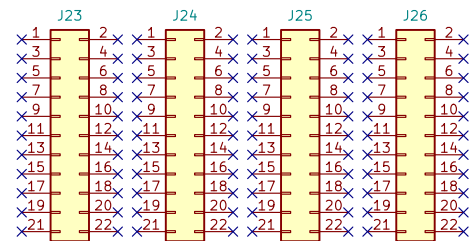
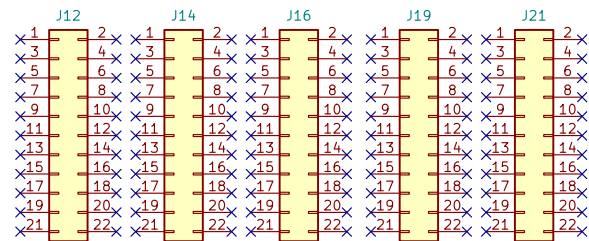
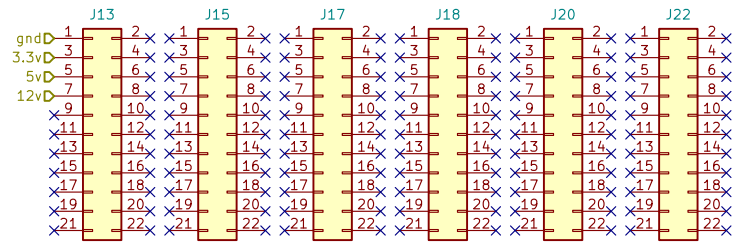
REF
https://rusefi.com/wiki/index.php?title=Vehicle:Mazda_Miata_2003



rusEFI		
Sheet: /LowSide1/		
File: pair.sch		
Title:		
Size: A4	Date: 2020-02-27	Rev: R0.1
KiCad E.D.A. kicad (5.1.2)-2		Id: 2/4



rusEFI		
Sheet: /LowSide2/		
File: pair.sch		
Title:		
Size: A4	Date: 2020-02-27	Rev: R0.1
KiCad E.D.A. kicad (5.1.2)-2		Id: 3/4



Sheet: /Proto/
File: Proto.sch

Title:

Size: A4 Date: 2020-02-27
KiCad E.D.A. kicad (5.1.2)-2

Rev: R0.1
Id: 4/4