

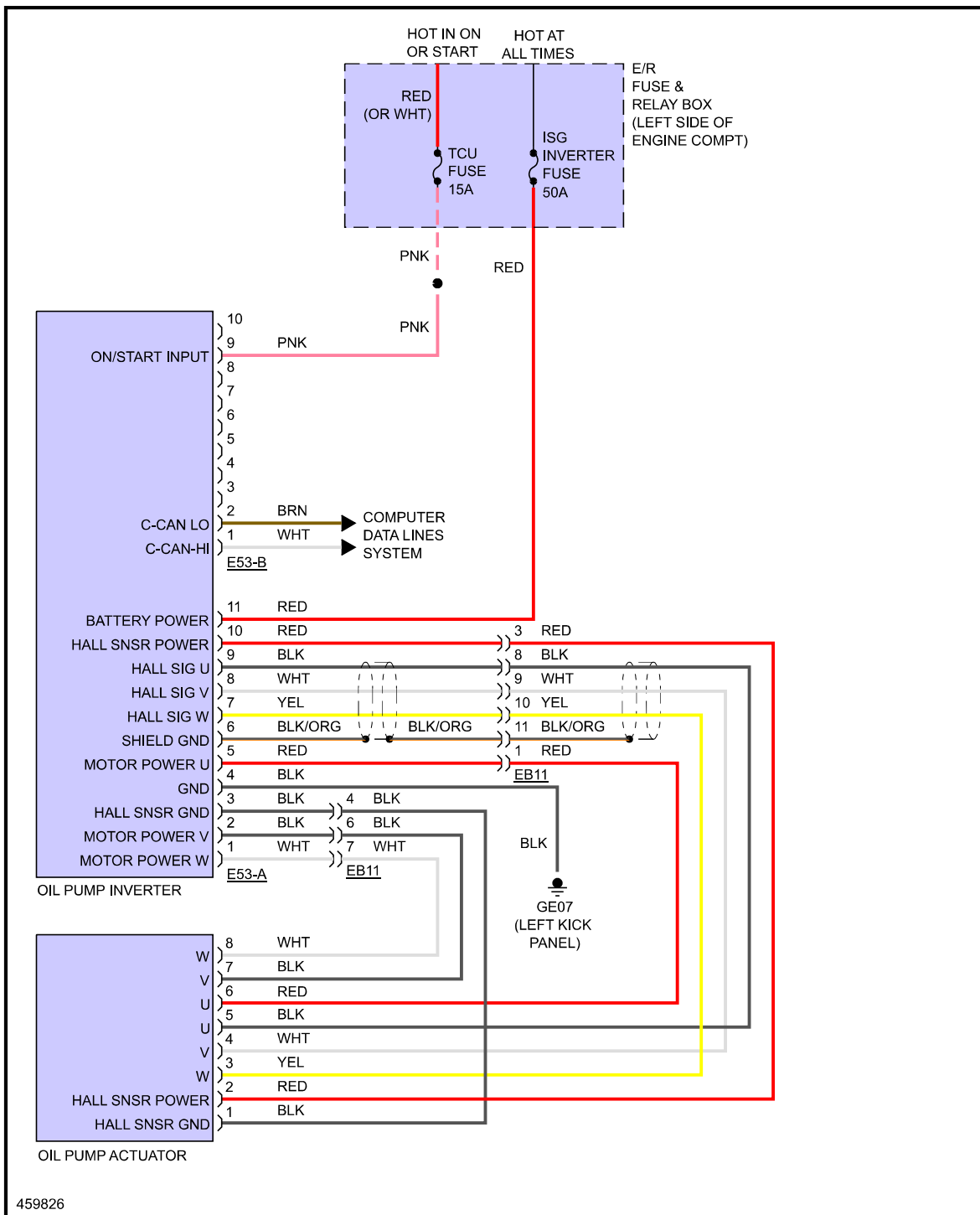
PRODEMAND

YMMS: 2015 Kia Forte Koup SX
Engine: 1.6L Eng
VIN:

Mar 20, 2023
License:
Odometer:

ENGINE PERFORMANCE > 1.6L TURBO

Fig 1: 1.6L Turbo, Electric Oil Pump Circuit



459826

Fig 2: 1.6L Turbo, MFI Control Circuit, A/T (1 of 7)

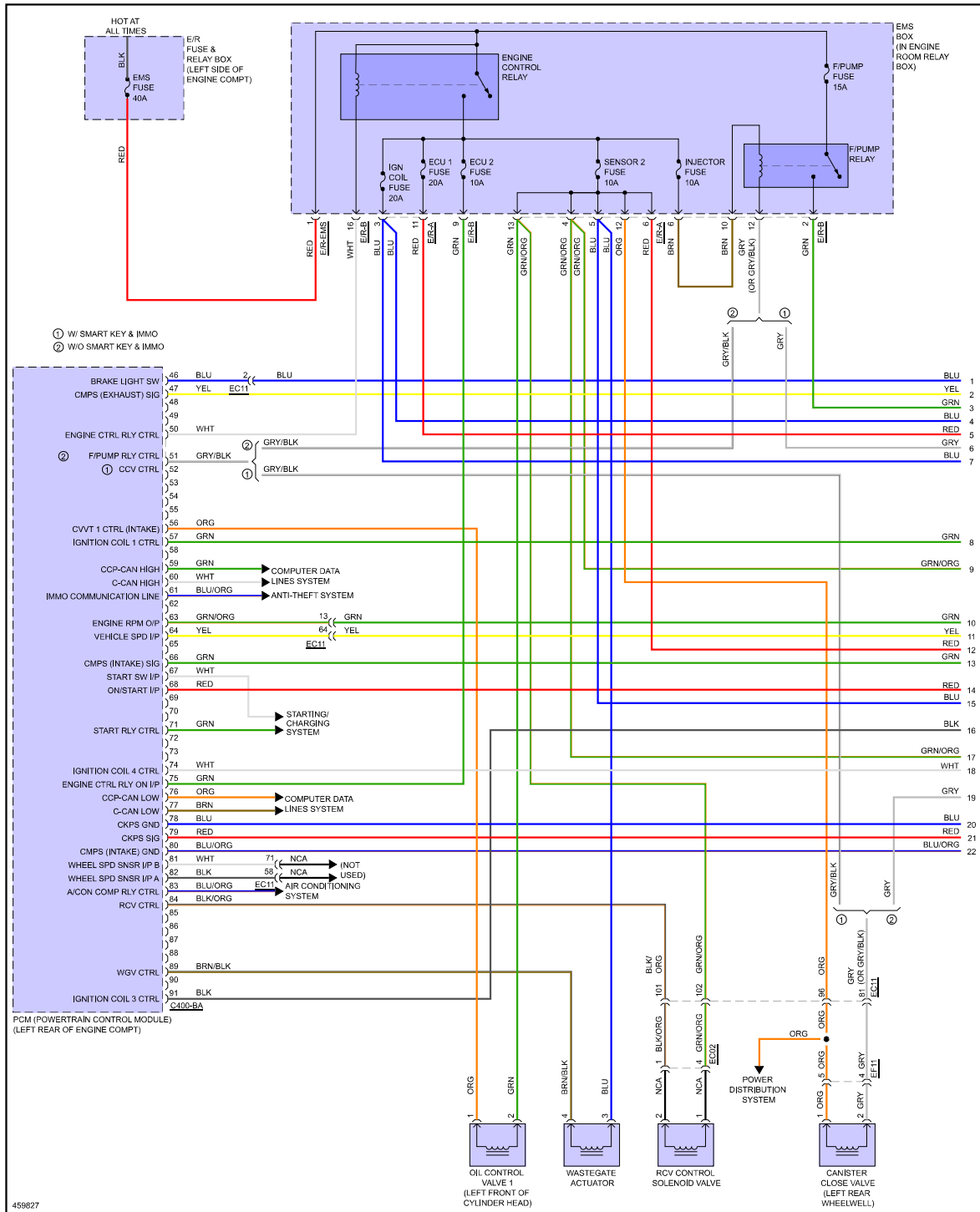


Fig 3: 1.6L Turbo, MFI Control Circuit, A/T (2 of 7)

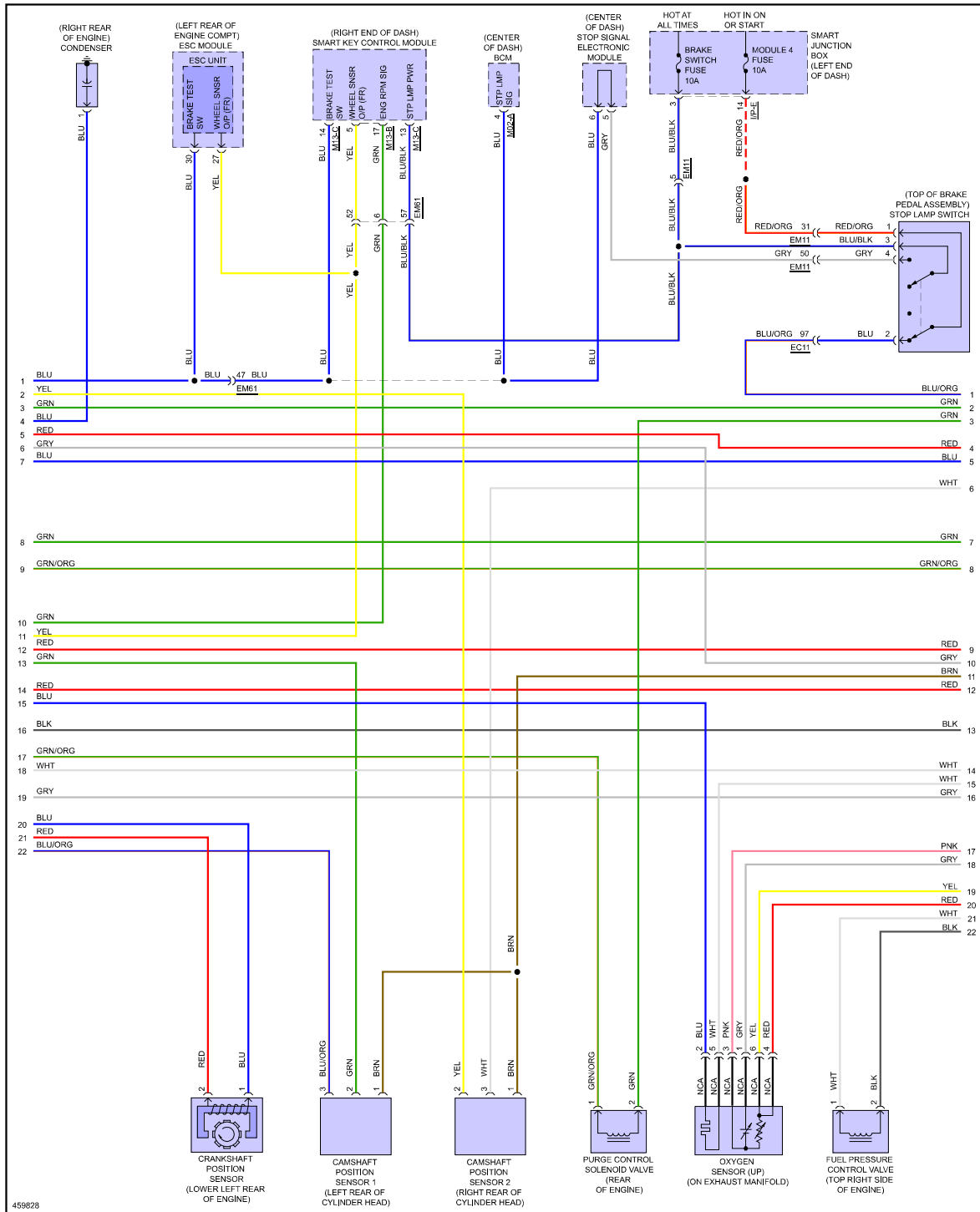


Fig 4: 1.6L Turbo, MFI Control Circuit, A/T (3 of 7)

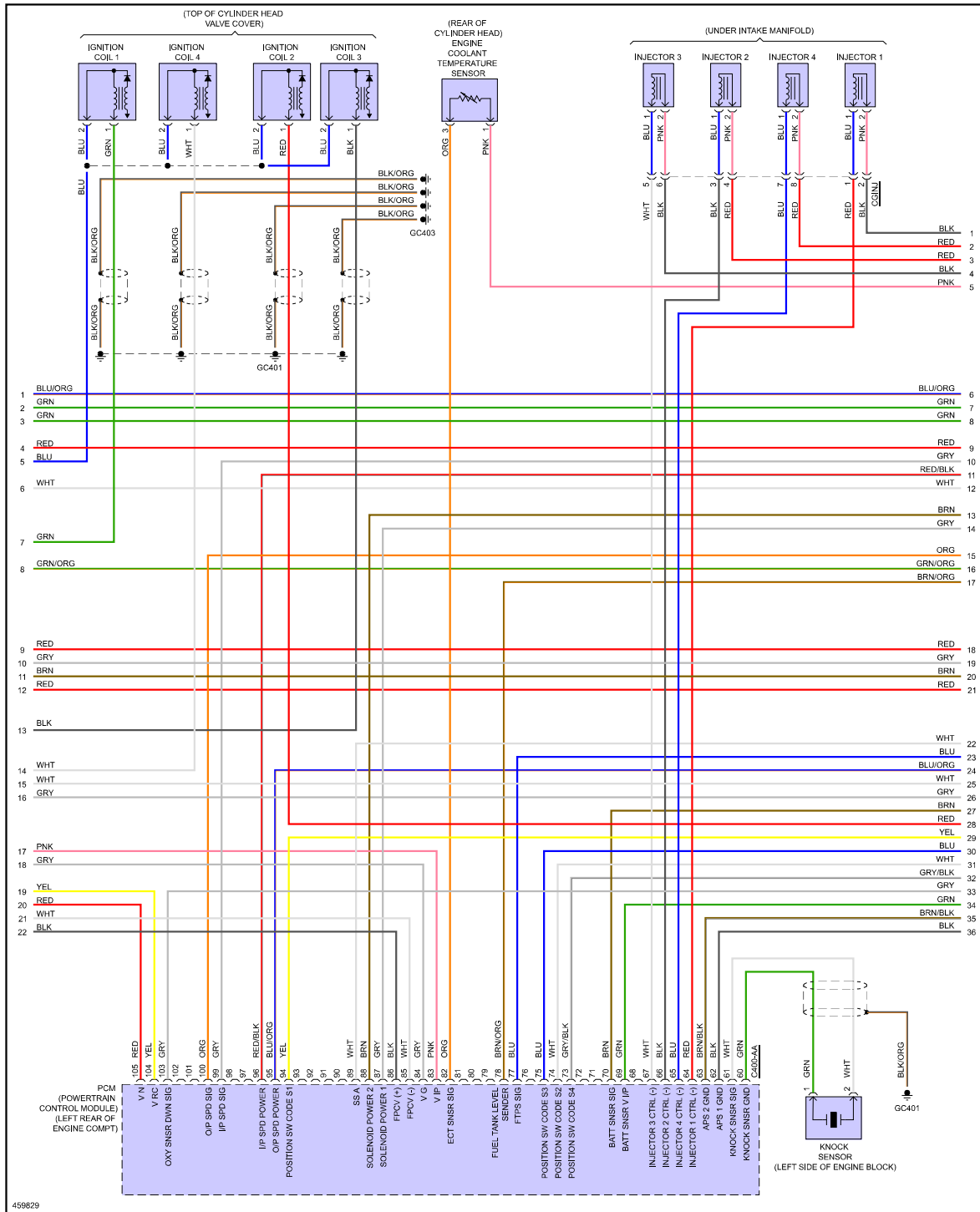


Fig 5: 1.6L Turbo, MFI Control Circuit, A/T (4 of 7)

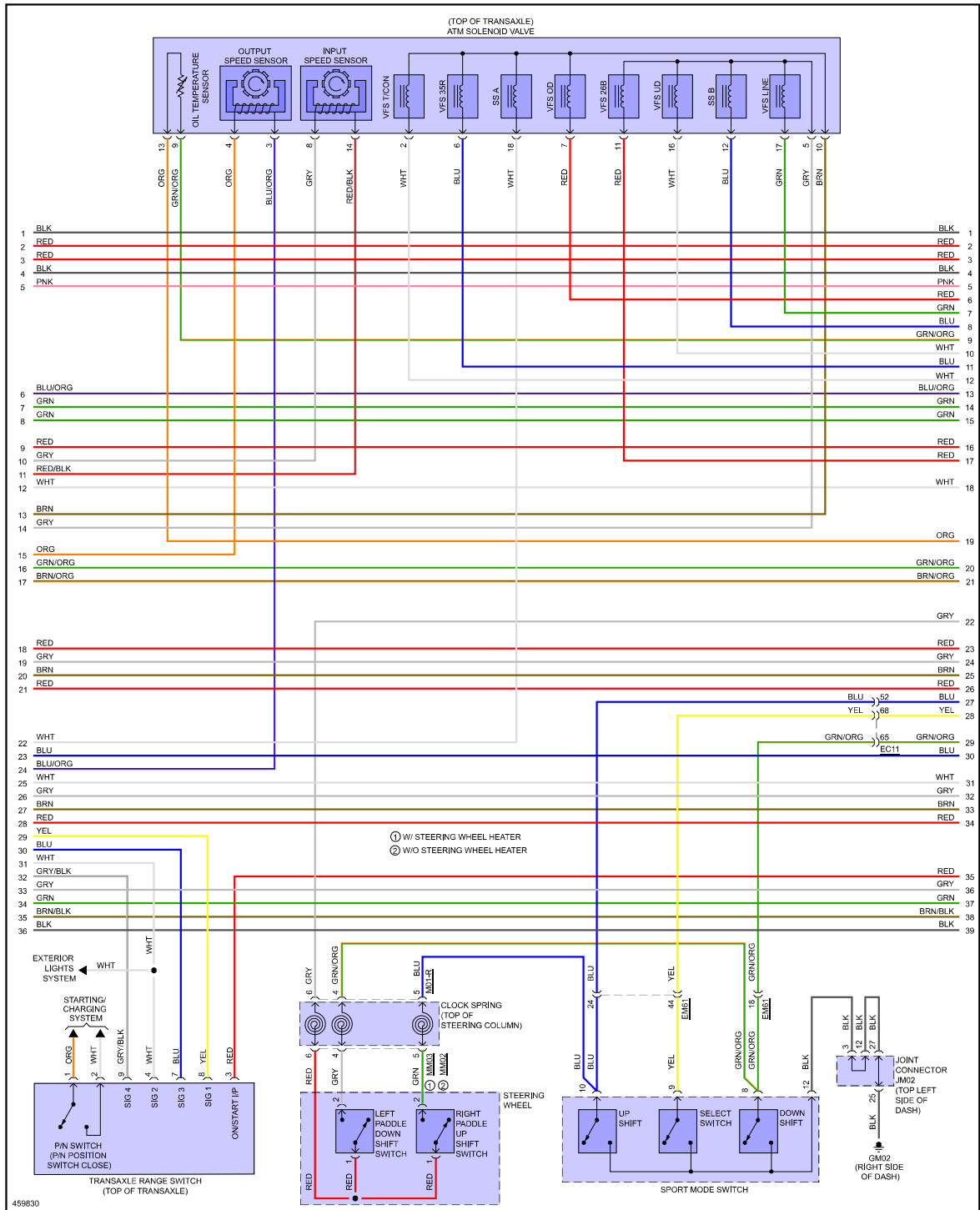


Fig 6: 1.6L Turbo, MFI Control Circuit, A/T (5 of 7)

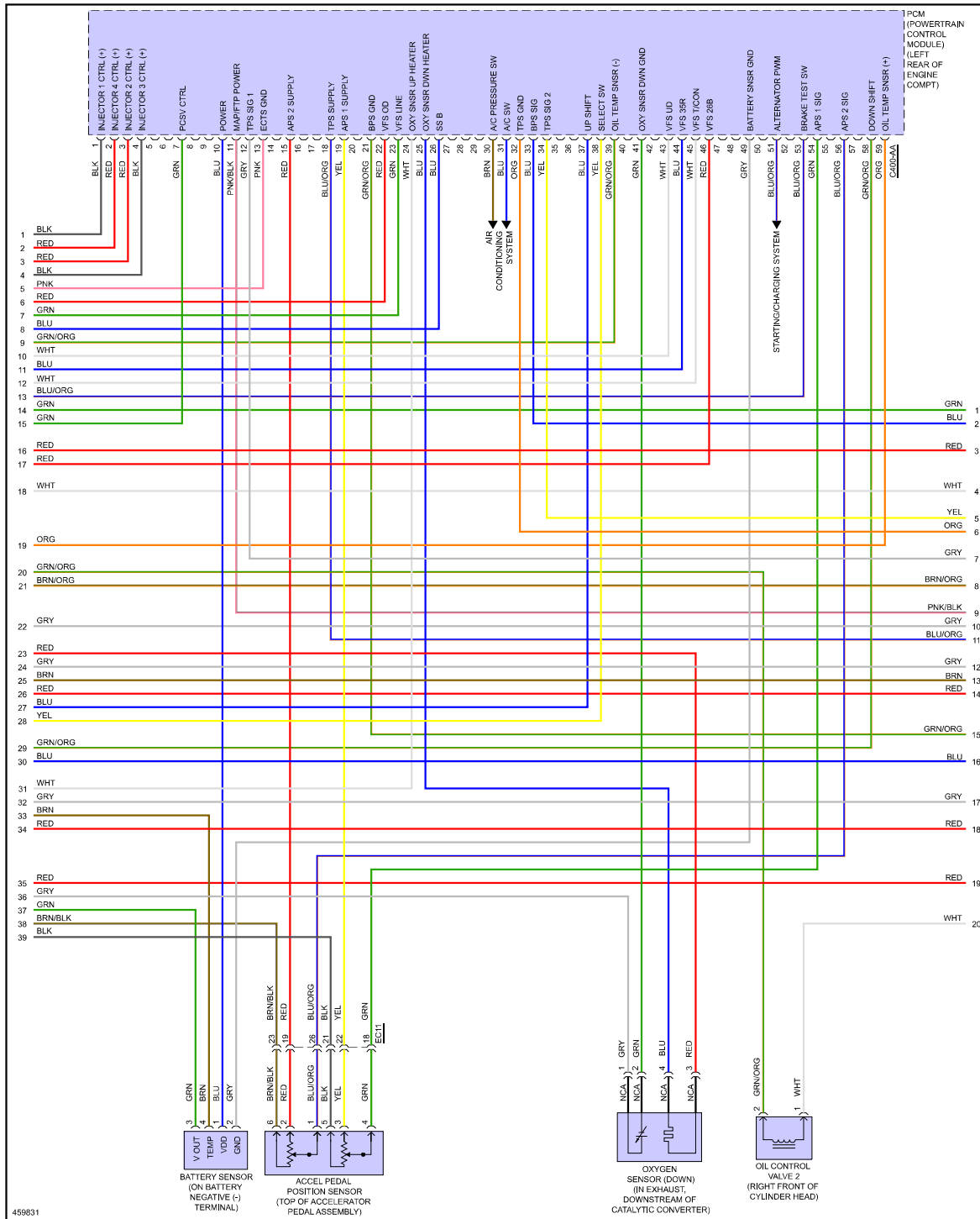


Fig 7: 1.6L Turbo, MFI Control Circuit, A/T (6 of 7)

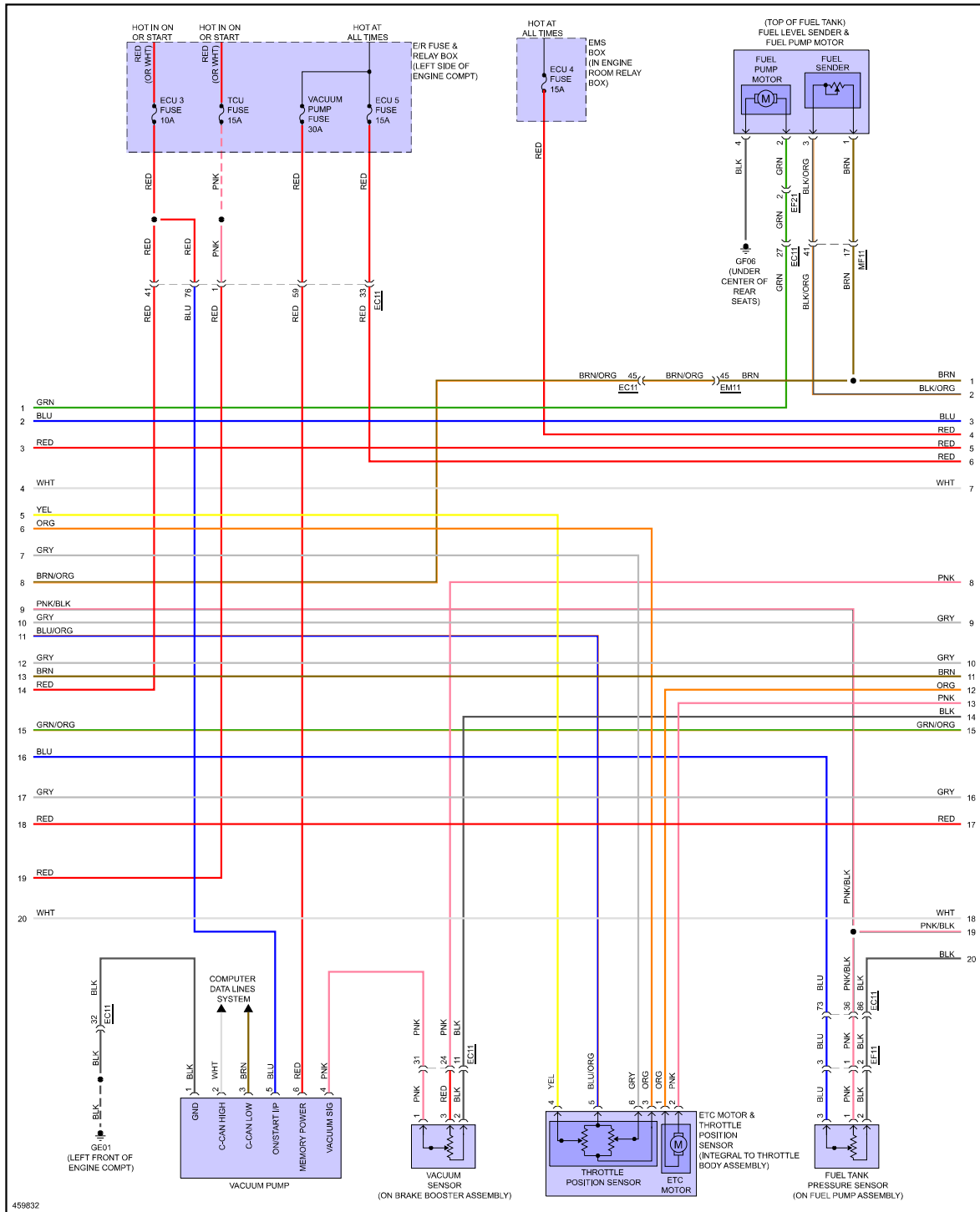


Fig 8: 1.6L Turbo, MFI Control Circuit, A/T (7 of 7)

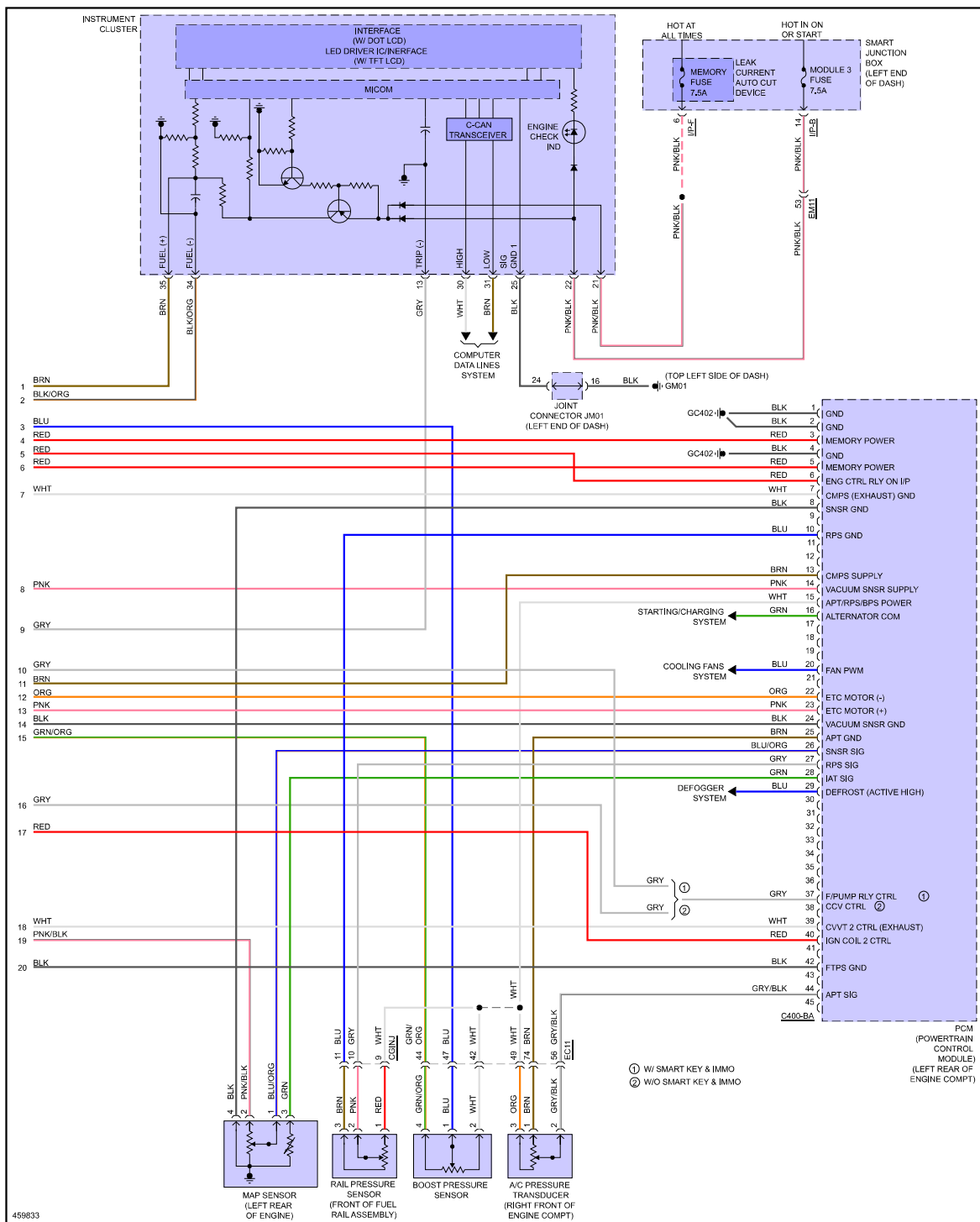


Fig 9: 1.6L Turbo, MFI Control Circuit, M/T (1 of 6)

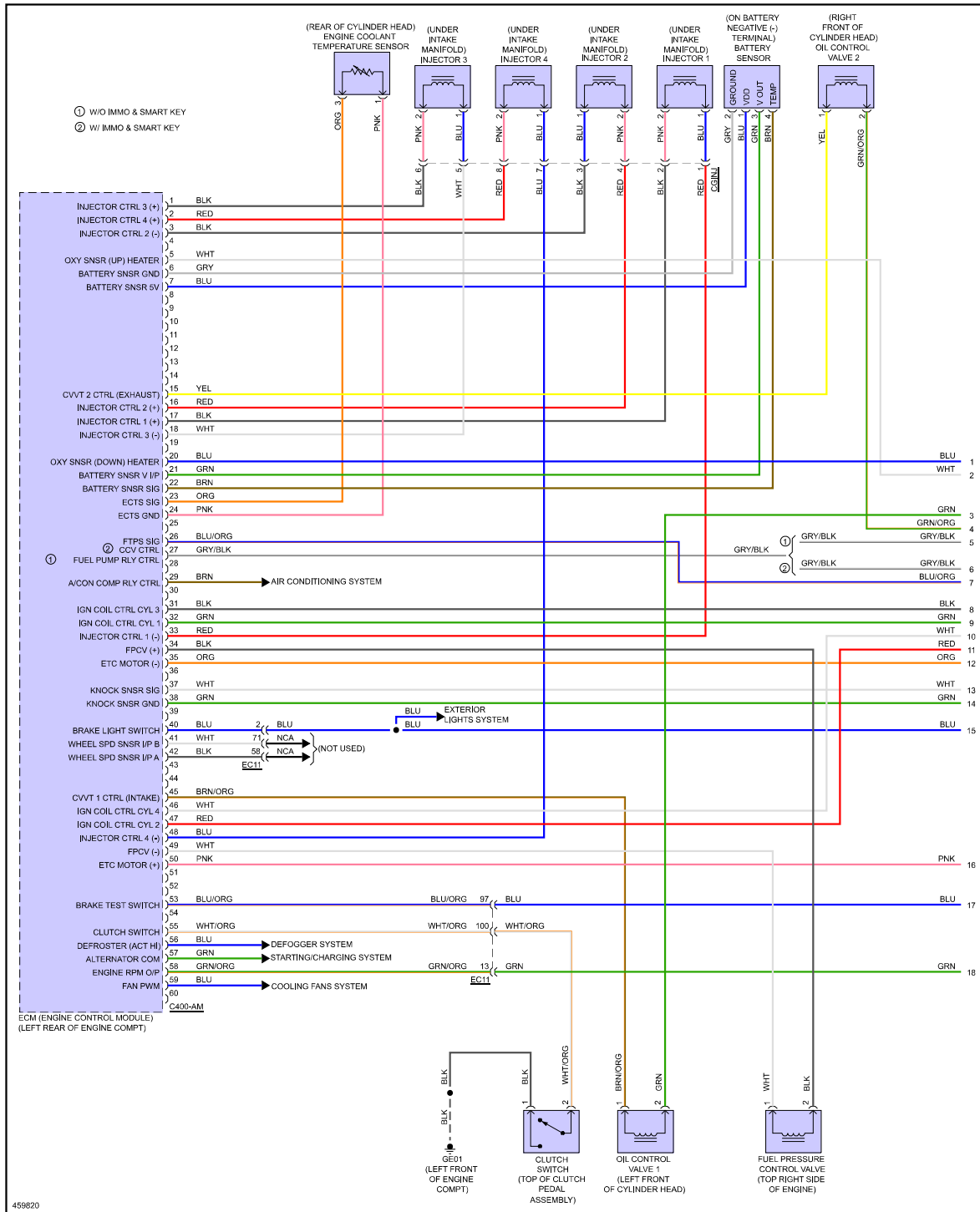


Fig 10: 1.6L Turbo, MFI Control Circuit, M/T (2 of 6)

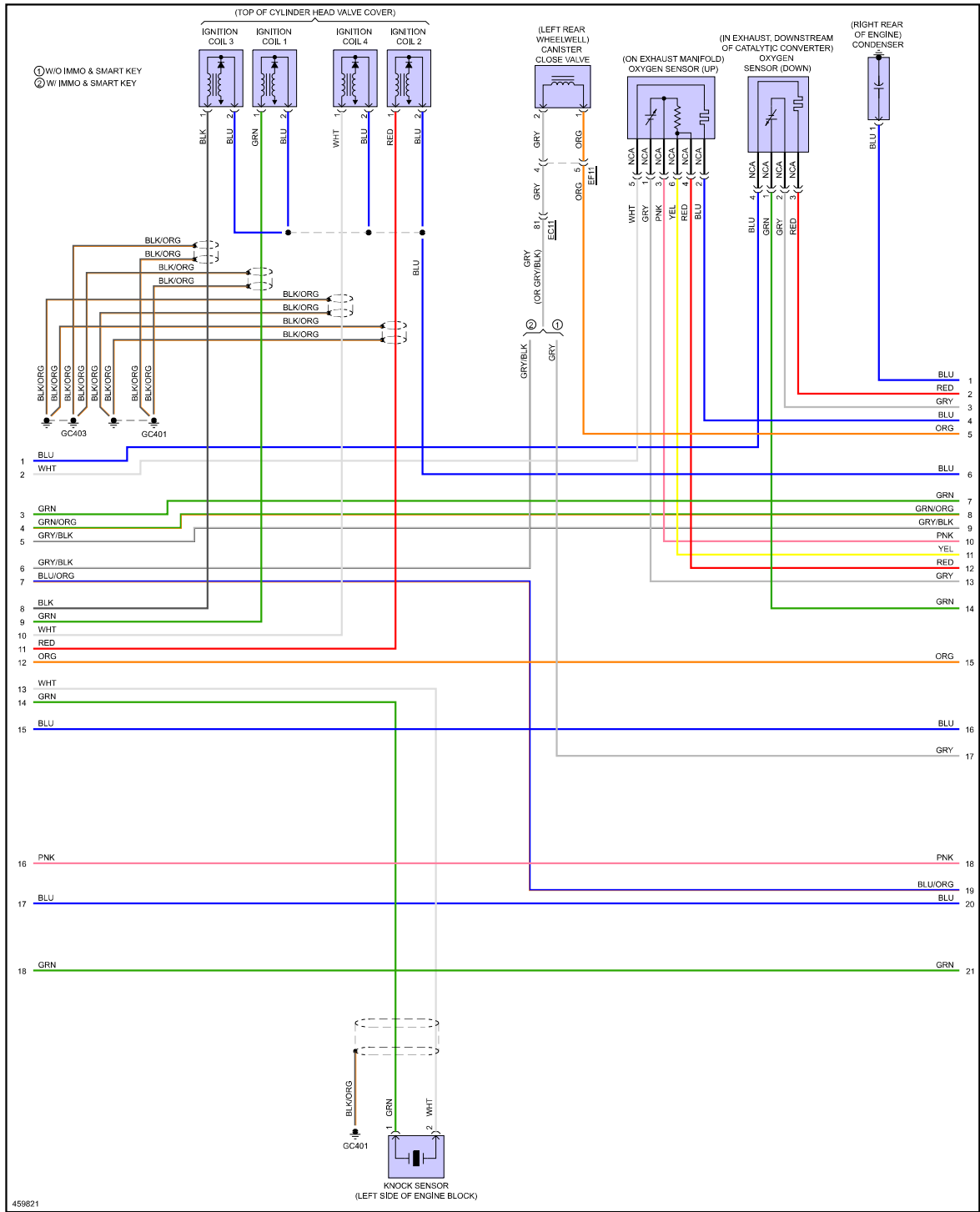


Fig 11: 1.6L Turbo, MFI Control Circuit, M/T (3 of 6)

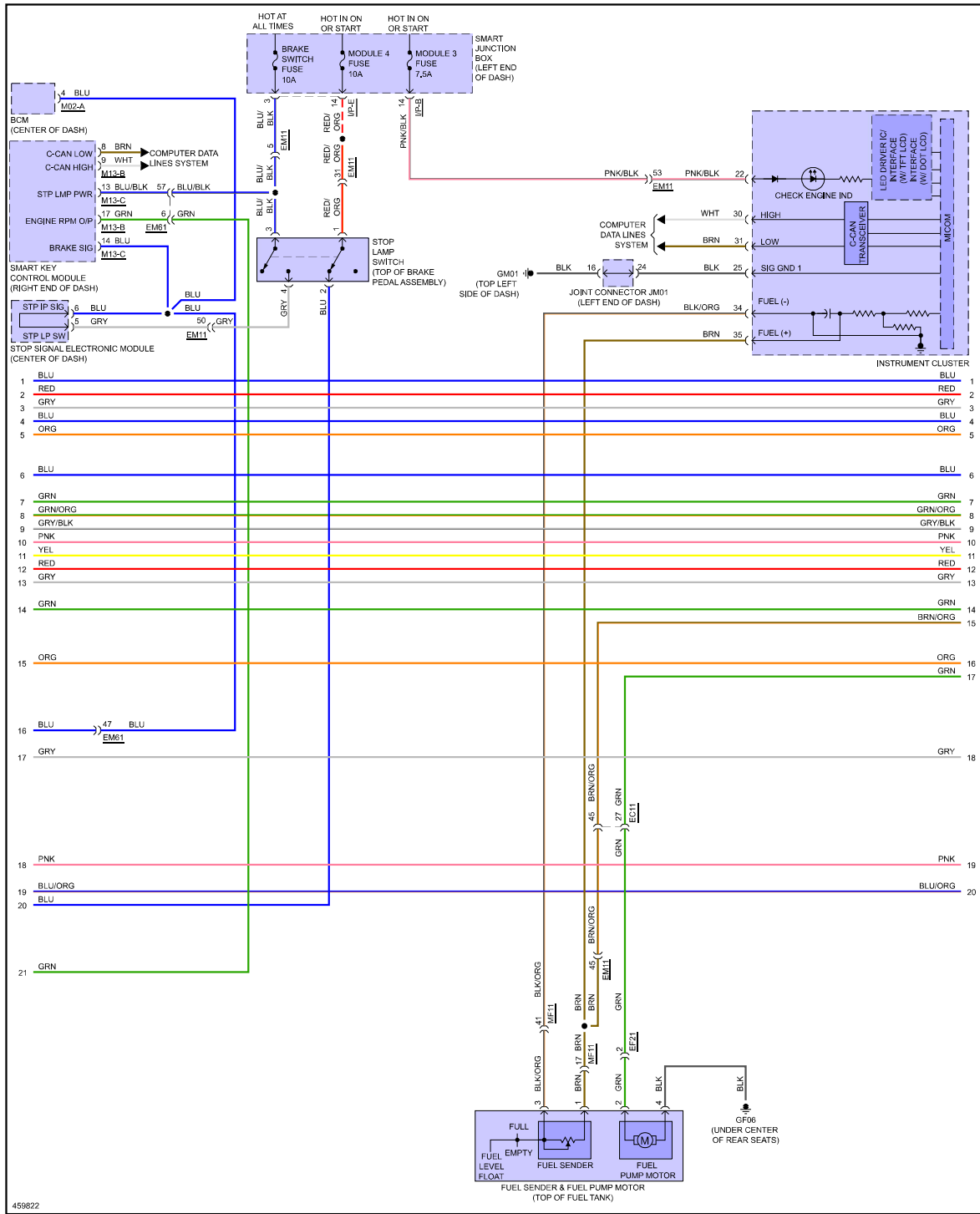
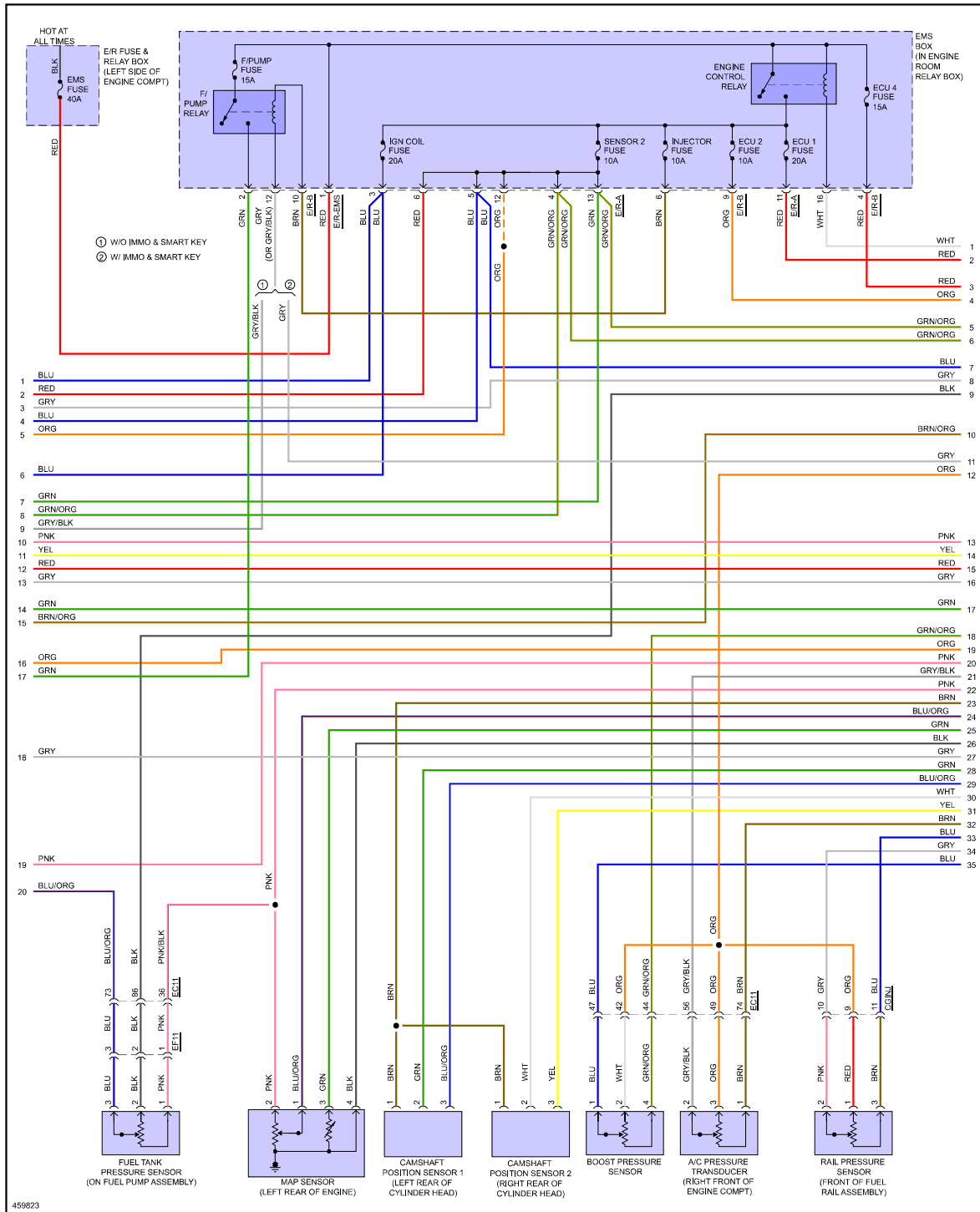


Fig 12: 1.6L Turbo, MFI Control Circuit, M/T (4 of 6)



459823

Fig 13: 1.6L Turbo, MFI Control Circuit, M/T (5 of 6)

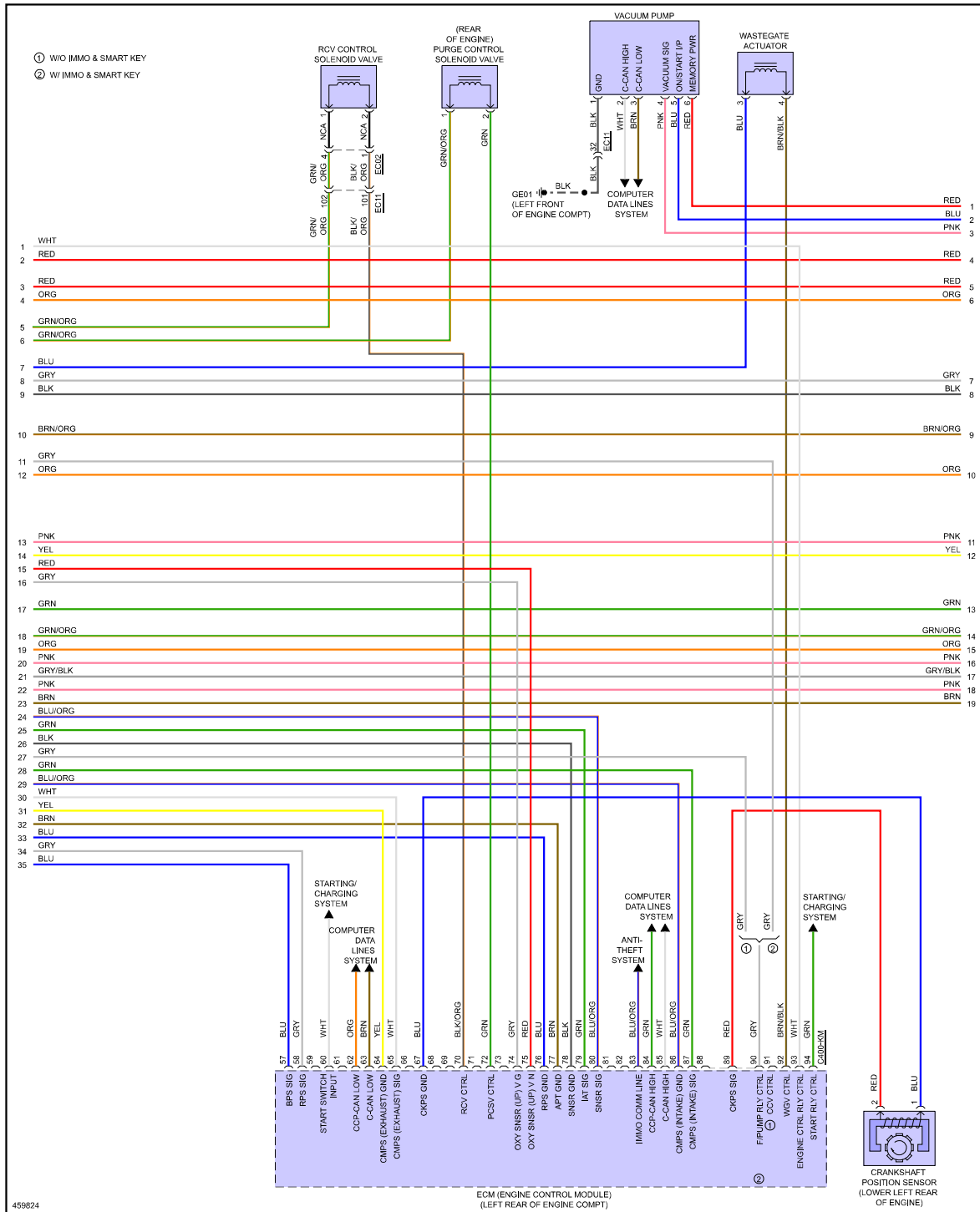


Fig 14: 1.6L Turbo, MFI Control Circuit, M/T (6 of 6)

